



400 VAC

# BISON35 OTI



control unit with built-in receiver, magnetic encoder and inverter  
oil lubricated reductions  
IP68 limit switch  
personalised release key



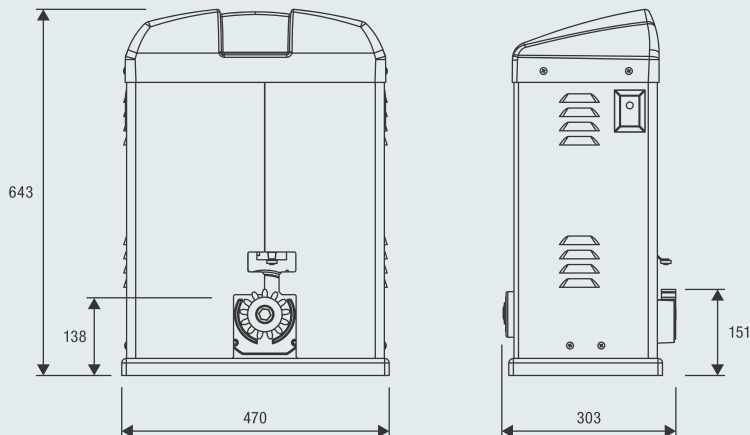
**up to 3500 kg**

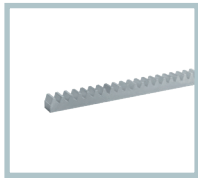


## 400 Vac

- Three phase 400 Vac geared motor, ventilated for intensive use
- The encoder device ensures precision in the gate moving phases
- Full metal mechanics and oil lubrication with maximum efficiency even at low temperatures
- Casing protective treatment and paint
- The inverter technology allows for more precise adjustment of the gate moving phases, and increased crush prevention security
- Optional built-in FTC.S photocells, available as accessory

**Foundation plate not included**





**RI.M6Z**  
M6 galvanised rack to weld 30x30x2000 mm.



**BISON.P35**  
Foundation plate with coach screws and support base for height adjustment. Motor fixing distance 410x210 mm n.4 Ø 13 mm.



**RF**  
Device with a non rechargeable battery, with guaranteed duration 2 years.



**SC.RF**  
Device powered at 12/24 Vdc with self-test function and 2 outputs for connection to the electronic control units.



**IRI.TX4VA**  
4-channel transmitter with Advanced Rolling Code and Rolling Code.



**IRI.TX4AK**  
4-channel transmitter with Advanced Rolling Code and Fixed Code.



**IRI.LAMP**  
White full range flashing light, 20-255 Vac with built-in aerial.



**IRI.KPAD**  
Battery operated wireless vandal-proof digital keypad with alert buzzer and backlit buttons. Triple coding: Rolling Code, Programmable Code and Advanced Rolling Code. 254 memorisable codes.



**BE.CODE**  
Wireless battery operated keypad, with triple coding. Numerical membrane keypad to guarantee maximum activation sensitivity. It can memorise up to 254 PINs.



**IRI.CELL**  
Pair of vandal-proof metal covers for PUPILLA/PUPILLA.R photocells, comprising front and rear shells with concealed screw. They can maintain perfect orientation over 180°.



**PUPILLA**  
Pair of photocells adjustable to 180°. Option to synchronise up to 4 pairs, 24 Vac/dc power supply. Easy adjustment through a LED that signals optimal alignment. Compact size: 36x110x35 mm



**FTC.S**  
24 Vac/dc surface mounting photocell. It is possible to synchronise up to 4 pairs of photocells.

TECHNICAL DATA	BISON35 OTI
Power supply	≈ 400 Vac (50-60Hz)
Motor supply	≈ 400 Vac
Max absorbed current	3 A
Max Thrust	3000 N
Max opening speed	19 m/min
Duty cycle	intensive use
Protection level	IP44
Operating temperature	-20°C /+50°C
Lubrication	OIL
Max gate weight	3500 kg
Driving gear for rack	M6 Z13
Weight	50.8 kg



**Beninca Australia Pty Ltd**  
11/51 Owen St, Glendenning NSW 2761 AUSTRALIA  
P + 61 2 9677 2827  
info@BenincaAustralia.com.au

[licensed installer]