



BULL1224 TURBO



control unit with incorporated receiver and virtual encoder
oil lubricated reductions
personalised release key
built-in battery charger

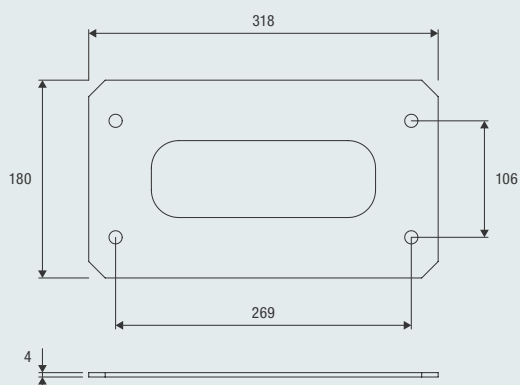
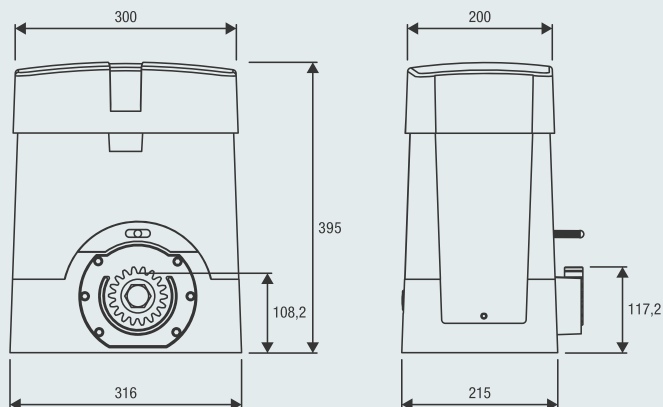
up to 1200 kg

24 Vdc | intensive use

- Fast 24 Vdc geared motor for intensive use with oil lubricated reductions, control unit equipped with switching power supply (115/240 Vac) that permits reduced power use and long lifespan of the actuator
- The main control unit, on the top part of the motor, makes it possible to facilitate the wiring procedure and also to calculate the position of the motor starting from the measurement of instantaneous speed (virtual encoder)
- The virtual encoder allows proper management of the slowing-down phases, movement tracking (STC system), and torque management in relation to the position of the gate, which guarantees maximum safety
- Self-programming with transmitter can be activated at the first installation. Practical cableguides
- **Maximum performance and speed (24 m/min with 1200 kg)**
- Anti-crushing system with amperometric obstacle detection
- Safety sensor that stops the motor power supply during release operations
- Designed for connection to the X.BE module to integrate the device into KNX home automation systems
- Convenient compartment for 2 mod. DA.BT6 7 Ah batteries
- Metal release lever
- Option to operate opposed sliding gates using the SIS accessory



Foundation plate with anchor bolts included.
Motor and floor fixing distance
269 mm x 106 mm, no. 4 Ø 12 mm.



COMPLETE KITS



MOTOR

KBULL1224TURBO



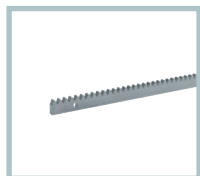
RACK

8x RI.M4P [8 m]



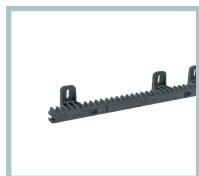
TRANSMITTER

2x TO.GO4A



RI.M4F

M4 rack, to weld or attach with screws, 30x12x1000 mm slotted and galvanised. Supplied with M6 metric screws and threaded spacers.
Package of 4 pcs.



RI.M4P

Nylon rack with steel core, to attach with screws, M4, 28x40x1000 mm. Slotted, provided with self-drilling screws.
Package of 10 pcs.



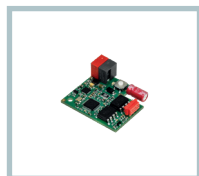
SB.BULL20.F

Externally fitted anti-intrusion cable unlock device (L=4.5m).



MLS

Magnetic limit switches.



X.BE

Electronic interface board between the KNX communication system and Beninca automation devices.



IRI.TX4VA

4-channel transmitter with Advanced Rolling Code and Rolling Code.



IRI.TX4AK

4-channel transmitter with Advanced Rolling Code and Fixed Code.



IRI.LAMP

White full range flashing light, 20-255 Vac with built-in aerial.



IRI.KPAD

Battery operated wireless vandal-proof digital keypad with alert buzzer and backlit buttons. Triple coding: Rolling Code, Programmable Code and Advanced Rolling Code. 254 memorisable codes.



BE.CODE

Wireless battery operated keypad, with triple coding. Numerical membrane keypad to guarantee maximum activation sensitivity. It can memorise up to 254 PINs.



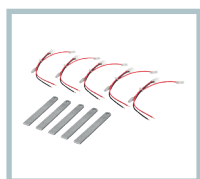
IRI.CELL

Pair of vandal-proof metal covers for PUPILLA/PUPILLA.R photocells, comprising front and rear shells with concealed screw. They can maintain perfect orientation over 180°.



PUPILLA

Pair of photocells adjustable to 180°. Option to synchronise up to 4 pairs, 24 Vac/dc power supply. Easy adjustment through a LED that signals optimal alignment. Compact size: 36x110x35 mm



BULL1224T.CB

Kit comprising 5 cables and 5 brackets for battery installation and operation even in the event of a power failure.



SIS

Quick connection electronic board that allows synchronised movement of 2 automation devices (opposed sliding gates). One board for each motor is necessary.

| TECHNICAL DATA | BULL1224 TURBO |
|-------------------------------|-----------------------------|
| Power supply | 115 Vac / 240 Vac (50-60Hz) |
| Motor supply | 24 Vdc |
| Max absorbed current | 3 A |
| Power consumption in stand-by | 8 mA |
| Max Thrust | 390 N |
| Opening speed | 12.5±24 m/min |
| Duty cycle | 80%* |
| Protection level | IP44 |
| Operating temperature | -20°C /+50°C |
| Max gate weight | 1200 kg |
| Driving gear for rack | M4 Z18 |
| Weight | 17.3 kg |

* In extreme operating conditions (environment T 50°C, speed 24 m/min, gate weight 1200 kg) the cycle falls to 40%



Beninca Australia Pty Ltd
11/51 Owen St, Glendenning NSW 2761 AUSTRALIA
P + 61 2 9677 2827
info@BenincaAustralia.com.au

[licensed installer]