



24VDC

BULL424



control unit with built-in encoder and receiver personalised release key



up to 450 kg

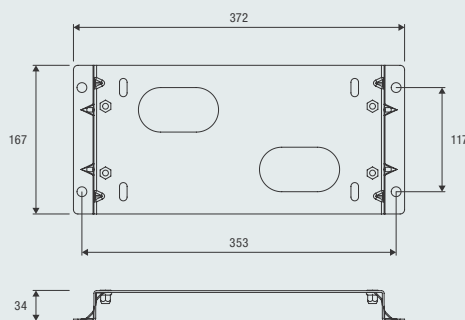
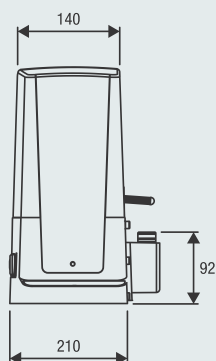
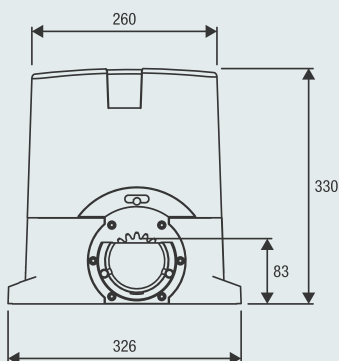


24 Vdc | intensive use

- 24 Vdc geared motor for intensive use, with built-in control unit and encoder
- The encoder device ensures maximum safety and precision in the gate moving phases
- Amperometric sensor obstacle detection system to prevent crushing
- Battery back up system ready
- Metal release lever



Raised foundation plate included. Height 34 mm. Floor fixing distance 353x117 mm, no. 4 Ø 11 mm, motor fixing distance 300x75 mm n.4 M8.



COMPLETE KITS

KBULL424



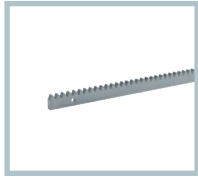
MOTOR
1x **BULL424**



RACK
4x **RI.M4P** [4 m]

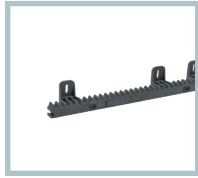


TRANSMITTER
2x **TO.GO4A**



RI.M4F

M4 rack, to weld or attach with screws, 30x12x1000 mm slotted and galvanised. Supplied with M6 metric screws and threaded spacers.
Package of 4 pcs.



RI.M4P

Nylon rack with steel core, to attach with screws, M4, 28x40x1000 mm. Slotted, provided with self-drilling screws.
Package of 10 pcs.



SB.BULL8.F

Externally fitted anti-intrusion cable unlock device (L=4.5m).



MLS

Magnetic limit switches.



IRI.TX4VA

4-channel transmitter with Advanced Rolling Code and Rolling Code.



IRI.TX4AK

4-channel transmitter with Advanced Rolling Code and Fixed Code.



IRI.LAMP

White full range flashing light, 20-255 Vac with built-in aerial.



IRI.KPAD

Battery operated wireless vandal-proof digital keypad with alert buzzer and backlit buttons. Triple coding: Rolling Code, Programmable Code and Advanced Rolling Code. 254 memorisable codes.



BE.CODE

Wireless battery operated keypad, with triple coding. Numerical membrane keypad to guarantee maximum activation sensitivity. It can memorise up to 254 PINs.



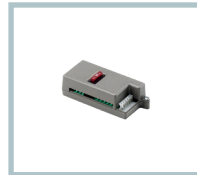
IRI.CELL

Pair of vandal-proof metal covers for PUPILLA/PUPILLA.R photodetectors, comprising front and rear shells with concealed screw. They can maintain perfect orientation over 180°.



PUPILLA

Pair of photocells adjustable to 180°. Option to synchronise up to 4 pairs, 24 Vac/dc power supply. Easy adjustment through a LED that signals optimal alignment. Compact size: 36x110x35 mm



CBY.24V

Battery charger card. The CBY.24V card allows charging two different types of nickel metalhydrate and lead batteries.

TECHNICAL DATA	BULL424
Power supply	240 Vac (50-60Hz)
Motor supply	24 Vdc
Max absorbed current	0.4 A
Power consumption in stand-by	8 mA
Max Thrust	428 N
Opening speed	6.7÷11 m/min
Duty cycle	intensive use
Protection level	IP44
Operating temperature	-20°C /+50°C
Max gate weight	450 kg
Driving gear for rack	M4 Z14
Weight	10.4 kg



Beninca Australia Pty Ltd
 11/51 Owen St, Glendenning NSW 2761 AUSTRALIA
 P + 61 2 9677 2827
 info@BenincaAustralia.com.au

[licensed installer]