



240_{VAC}

BULL8 OM



control unit with built-in encoder and receiver
personalised release key
oil lubrication

100%
Made in Italy



up to 800 kg

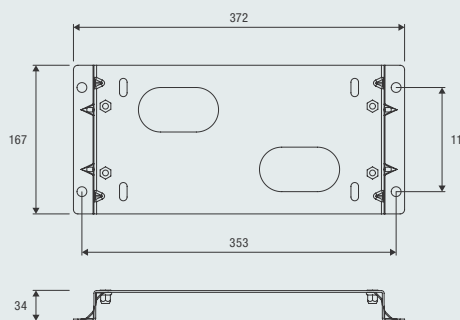
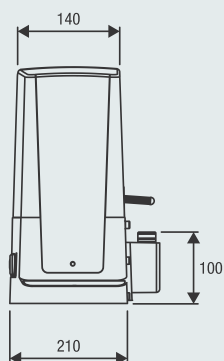
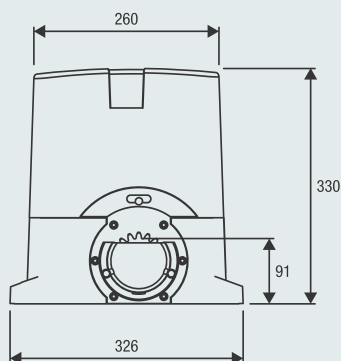


240 Vac

- Electromechanical 240 Vac geared motor with built-in control unit and encoder
- The encoder device ensures crush prevention and precision in the gate moving phases
- Full metal mechanics and oil lubrication ensure maximum gear durability. The type of oil used is also particularly effective, and ensures maximum efficiency even at low temperatures
- Reduced mechanical wear on components
- Metal release lever



Raised foundation plate included. Height 34 mm. Floor fixing distance 353x117 mm, no. 4 Ø 11 mm, motor fixing distance 300x75 mm n.4 M8.



COMPLETE KITS

KBULL8OM



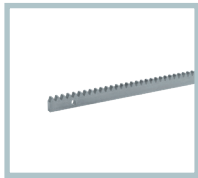
MOTOR
1x **BULL8 OM**



RACK
6x **RI.M4P** [6 m]

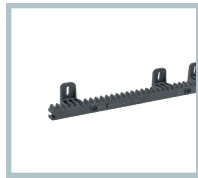


TRANSMITTER
2x **TO.GO4A**



RI.M4F

M4 rack, to weld or attach with screws, 30x12x1000 mm slotted and galvanised. Supplied with M6 metric screws and threaded spacers.
Package of 4 pcs.



RI.M4P

Nylon rack with steel core, to attach with screws, M4, 28x40x1000 mm. Slotted, provided with self-drilling screws.
Package of 10 pcs.



SB.BULL8.F

Externally fitted anti-intrusion cable unlock device (L=4.5m).



MLS

Magnetic limit switches.



IRI.TX4VA

4-channel transmitter with Advanced Rolling Code and Rolling Code.



IRI.TX4AK

4-channel transmitter with Advanced Rolling Code and Fixed Code.



IRI.LAMP

White full range flashing light, 20-255 Vac with built-in aerial.



IRI.KPAD

Battery operated wireless vandal-proof digital keypad with alert buzzer and backlit buttons. Triple coding: Rolling Code, Programmable Code and Advanced Rolling Code. 254 memorisable codes.



BE.CODE

Wireless battery operated keypad, with triple coding. Numerical membrane keypad to guarantee maximum activation sensitivity. It can memorise up to 254 PINs.



IRI.CELL

Pair of vandal-proof metal covers for PUPILLA/PUPILLA.R photocells, comprising front and rear shells with concealed screw. They can maintain perfect orientation over 180°.



PUPILLA

Pair of photocells adjustable to 180°. Option to synchronise up to 4 pairs, 24 Vac/dc power supply. Easy adjustment through a LED that signals optimal alignment. Compact size: 36x110x35 mm

TECHNICAL DATA	BULL8 OM
Power supply	240 Vac (50-60Hz)
Motor supply	240 Vac
Max absorbed current	2.6 A
Max Thrust	940 N
Opening speed	10.5 m/min
Duty cycle	40%
Protection level	IP44
Operating temperature	-20°C /+50°C
Lubrication	OIL
Max gate weight	800 kg
Driving gear for rack	M4 Z18
Weight	14.6 kg



Beninca Australia Pty Ltd
 11/51 Owen St, Glendenning NSW 2761 AUSTRALIA
 P + 61 2 9677 2827
 info@BenincaAustralia.com.au

[licensed installer]